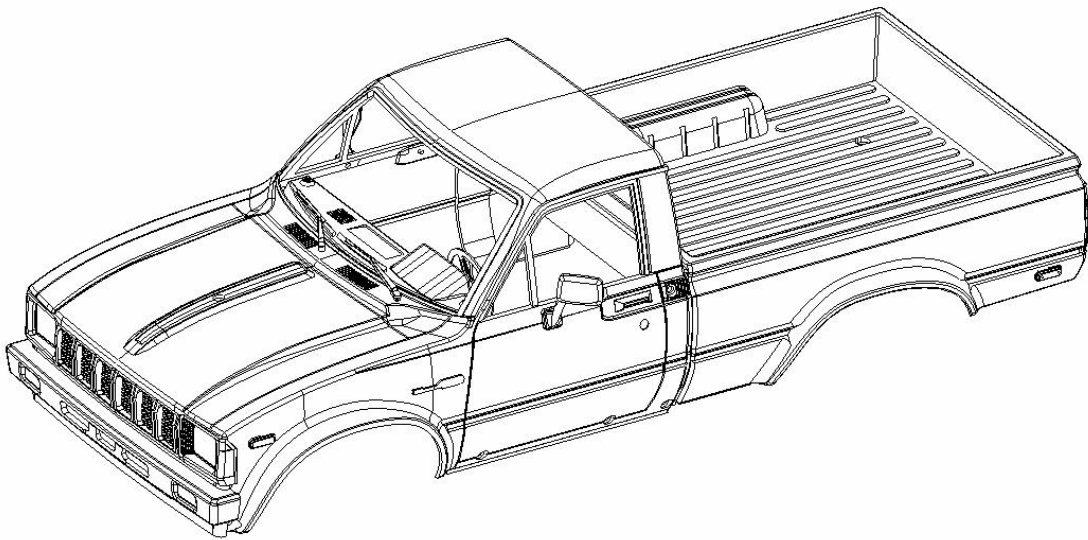
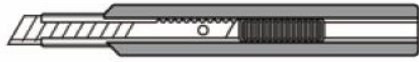


Mojave

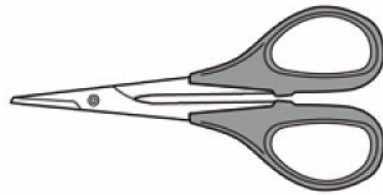
1/10 SCALE TRUCK BODY



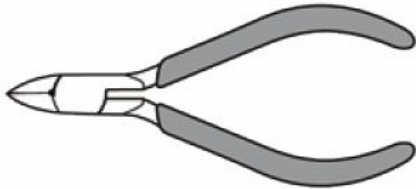
Recommended Tools



Modelling / Craft knife



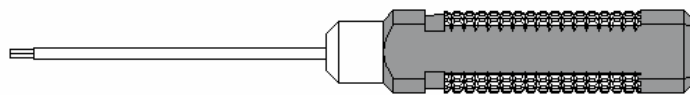
Curved scissors



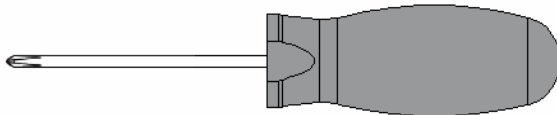
Side cutters



Instant glue/plastic cement



Hex drivers 1.5mm, 2mm



Cross head screwdriver (small)

Tips for Assembly

It is recommended that that body parts are painted with acrylic paint after removing the parts from the parts trees but before assembly.

Test fit parts before applying glue and use glue sparingly.

Note: Steps marked with an asterisk (*) require glue.



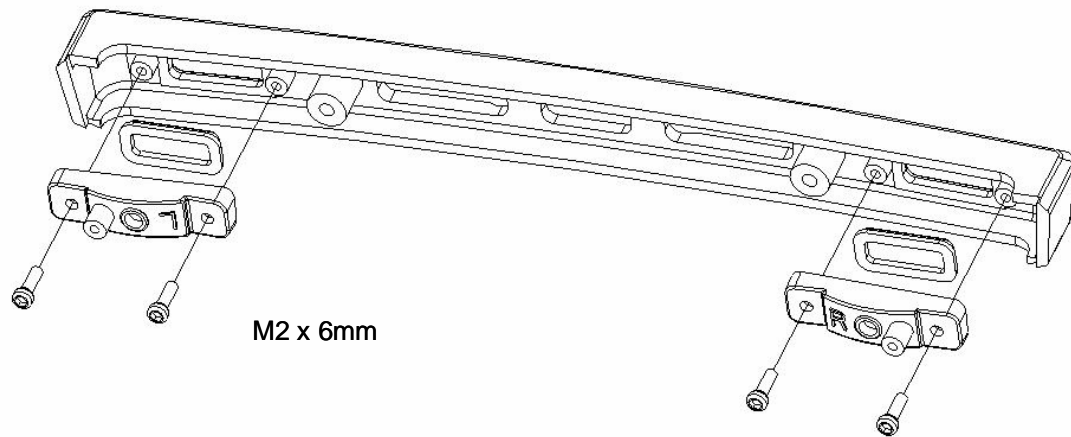
RC4WD Limited Warranty

All RC4WD products are warranted to be free of defects in materials and workmanship when new. Our limited warranty does not cover damages due to normal wear and tear, user error of assembly or installation, user modifications, user's failure to perform routine maintenance, addition of aftermarket parts or option parts. This warranty lasts as long as the original purchaser owns the product. In the event of a defect under this warranty, RC4WD will, at our discretion, replace the product, provided our inspection indicates that an original defect exists. RC4WD reserves the right to replace any product which is no longer available with a product of comparable value and function. If RC4WD determines the repair is not covered under warranty guidelines, we will contact you to discuss your options. If you have any questions, please contact us via email at rcrock@rc4wd.com.

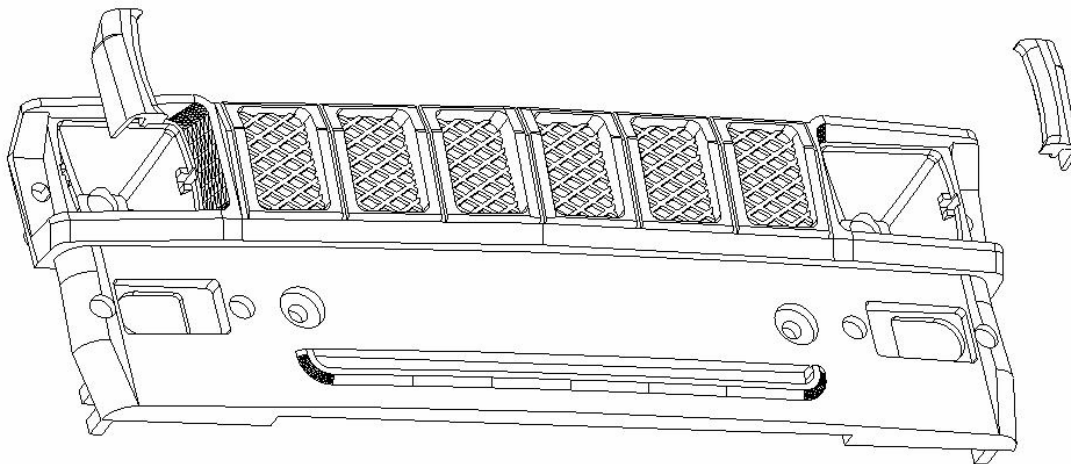


All hardware should be taken from Bag B

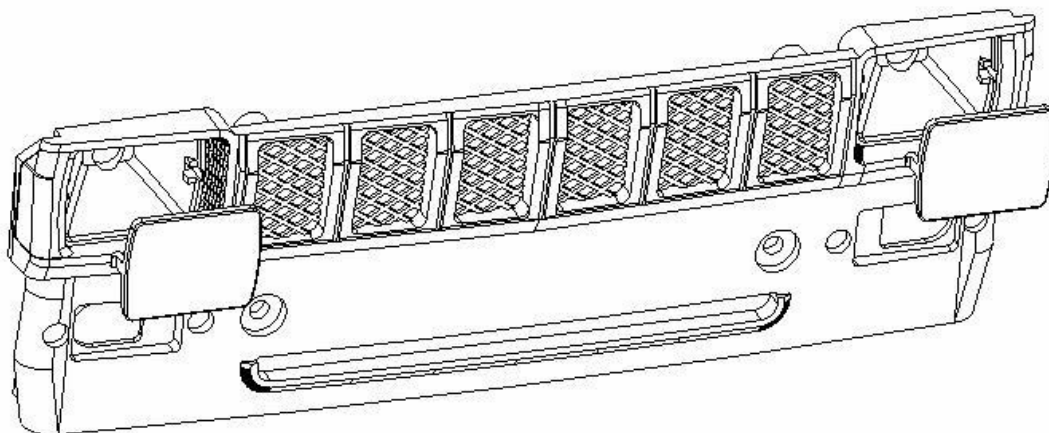
1



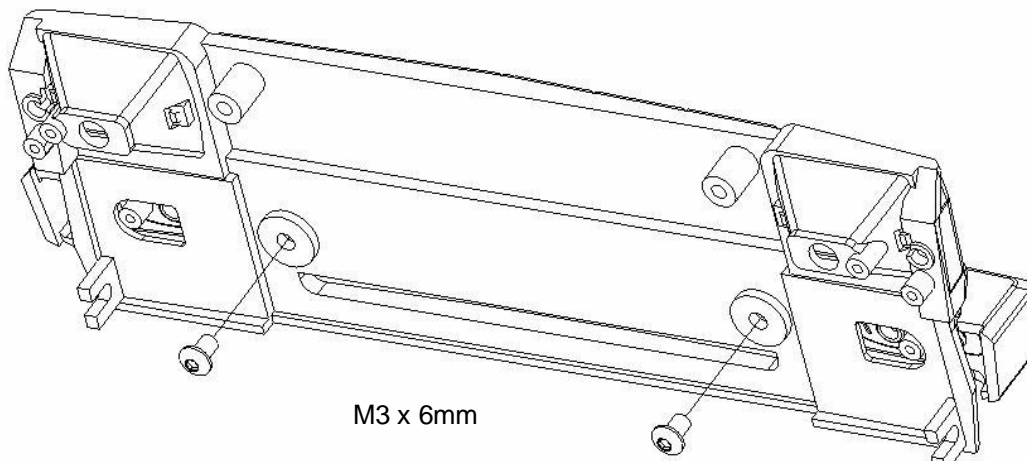
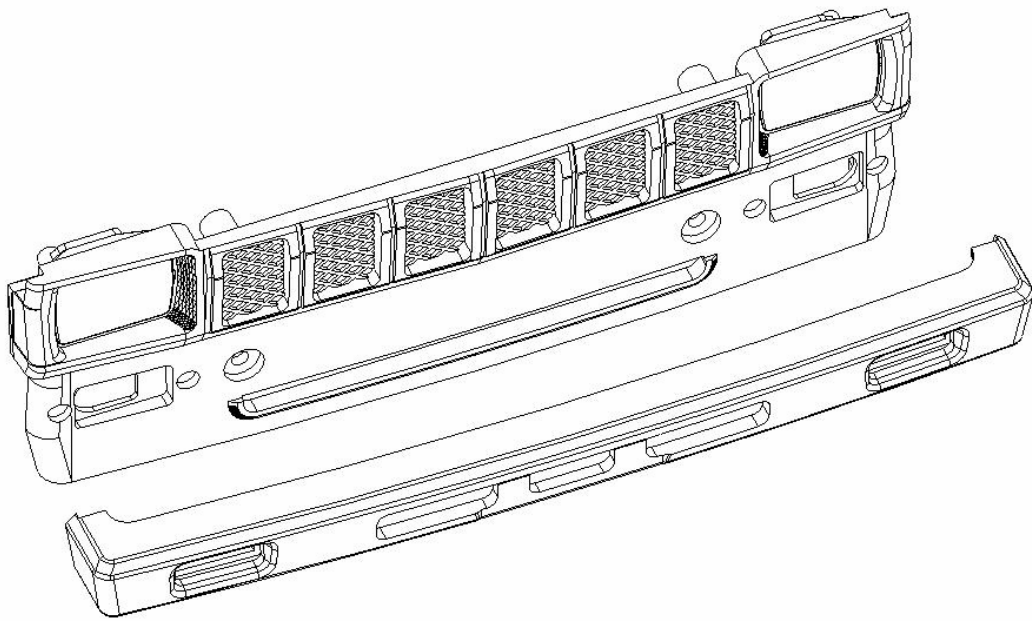
2 *



3

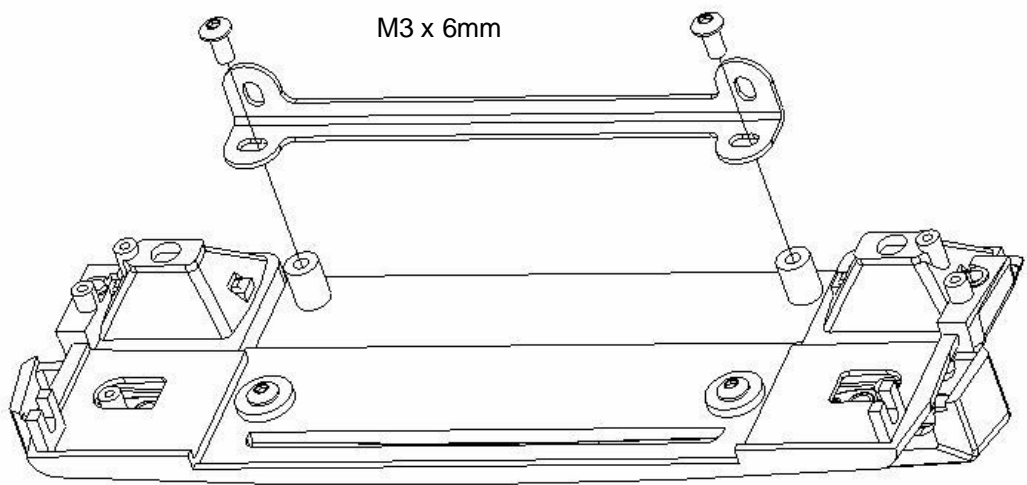


4



M3 x 6mm

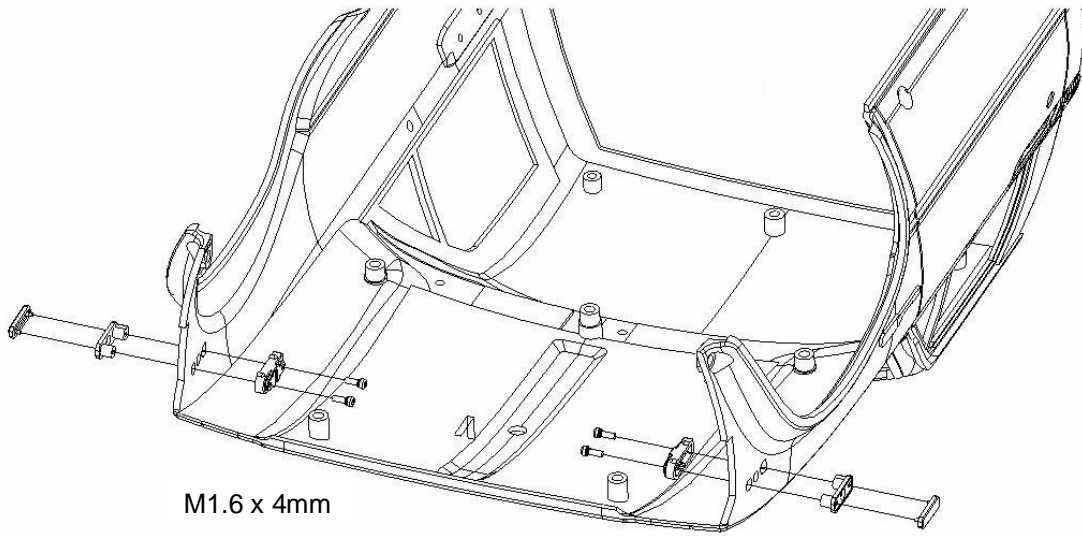
5



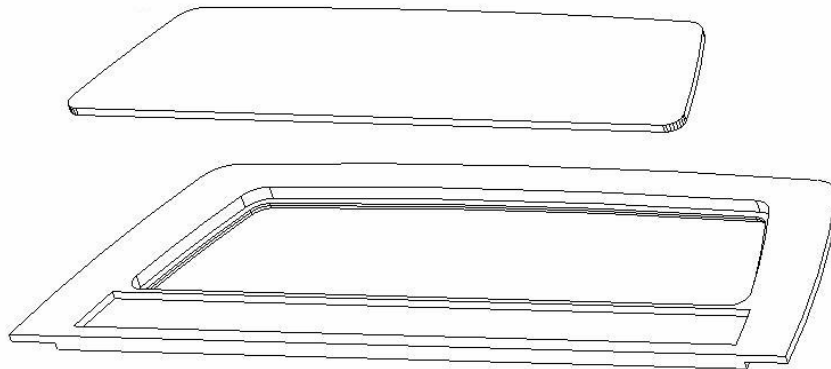
M3 x 6mm



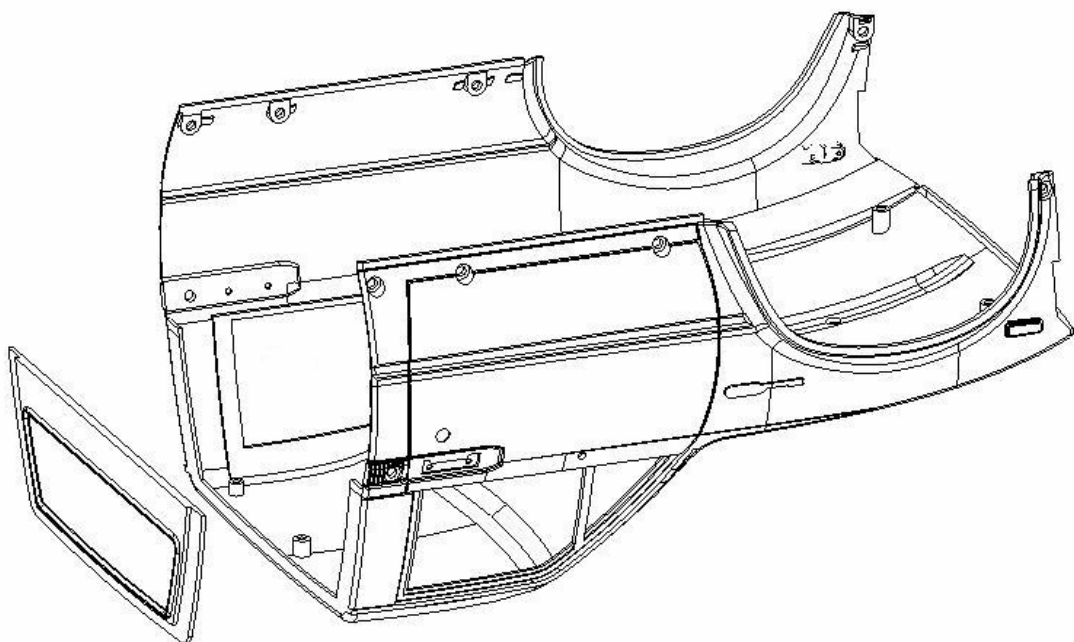
6 *



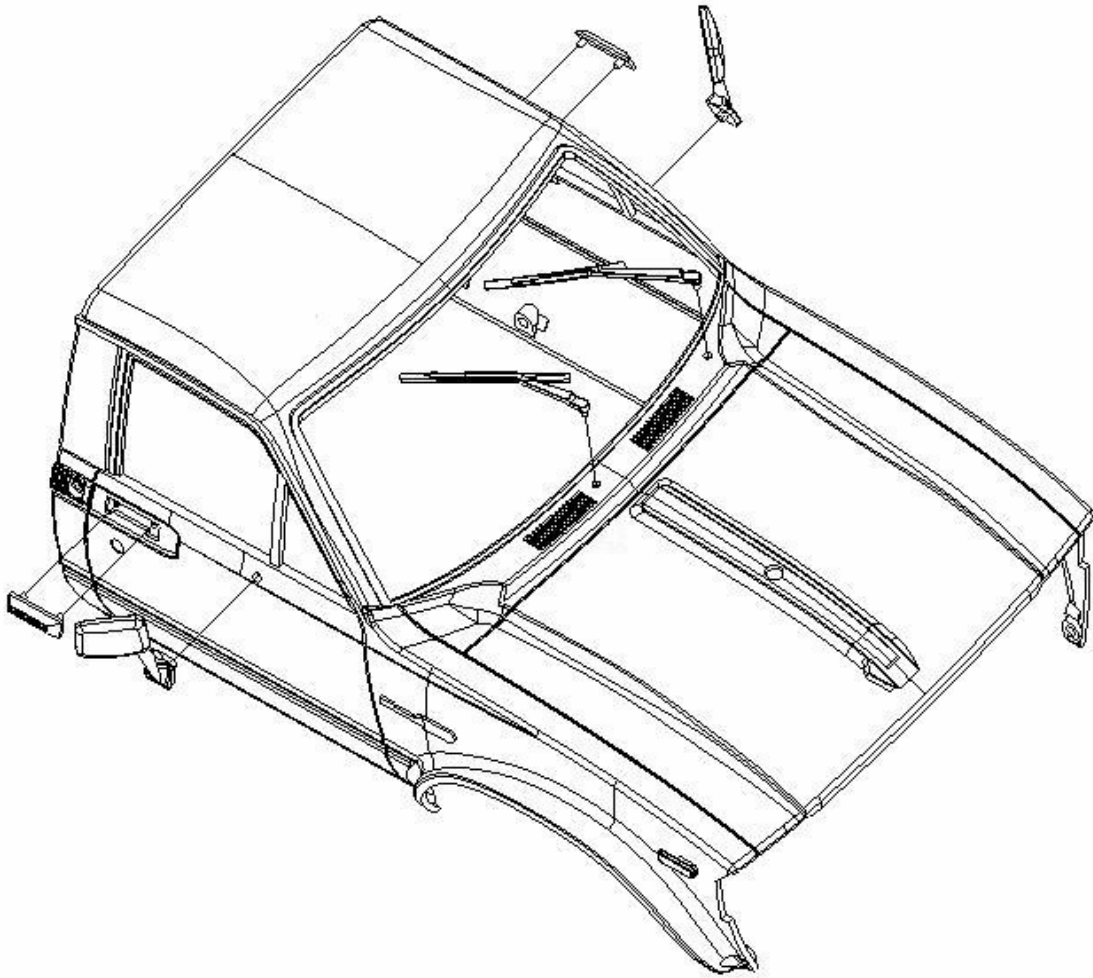
7 *

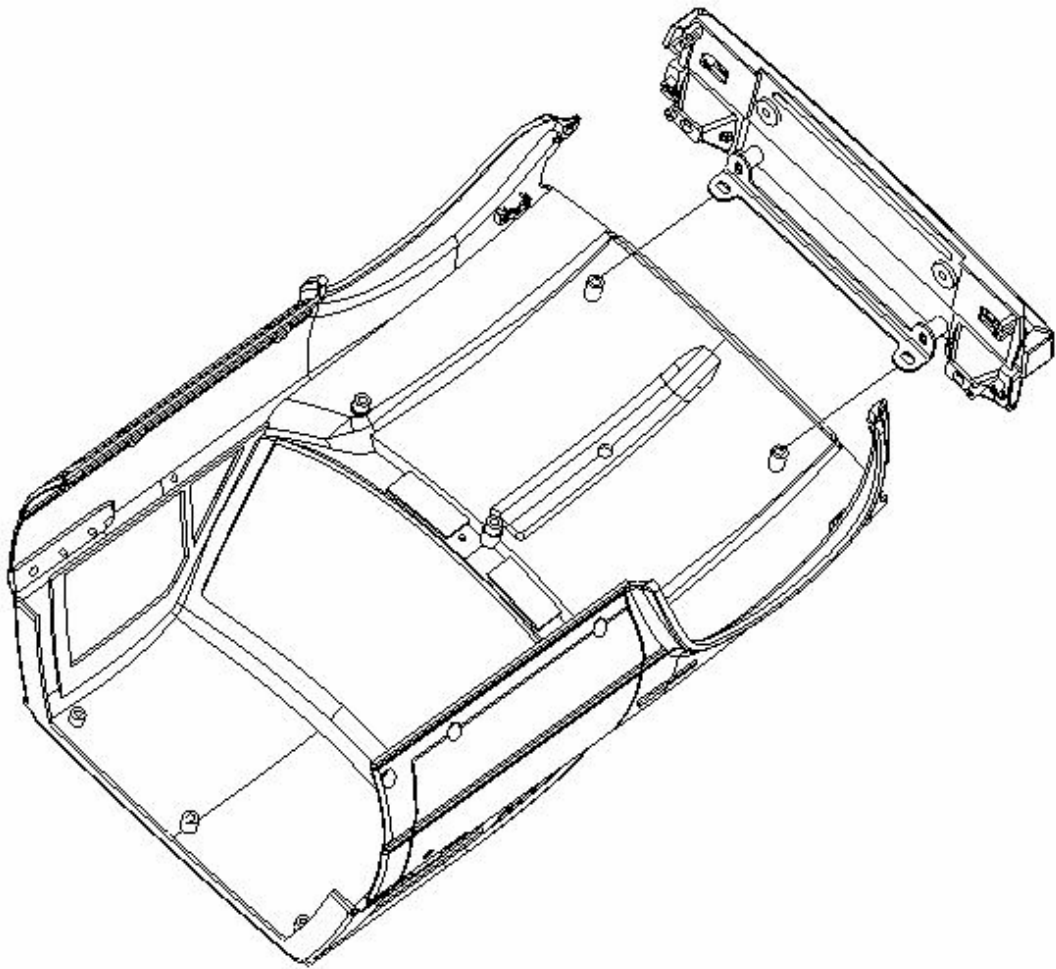


8 *

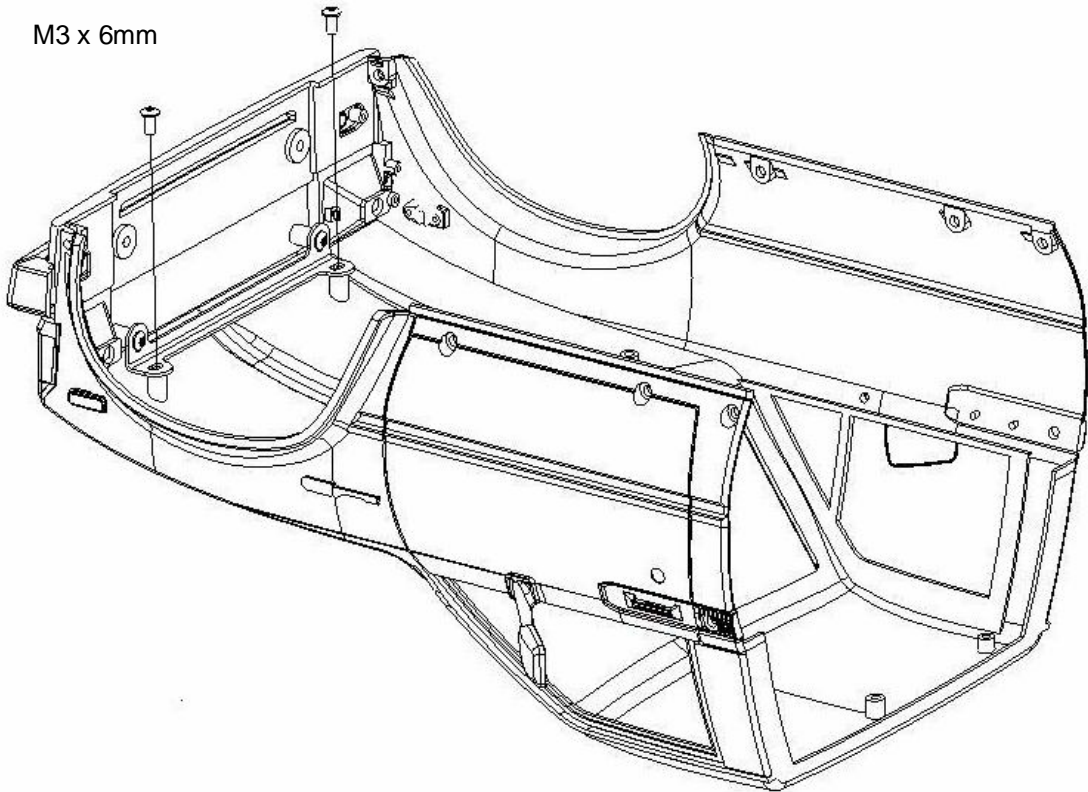


9 *

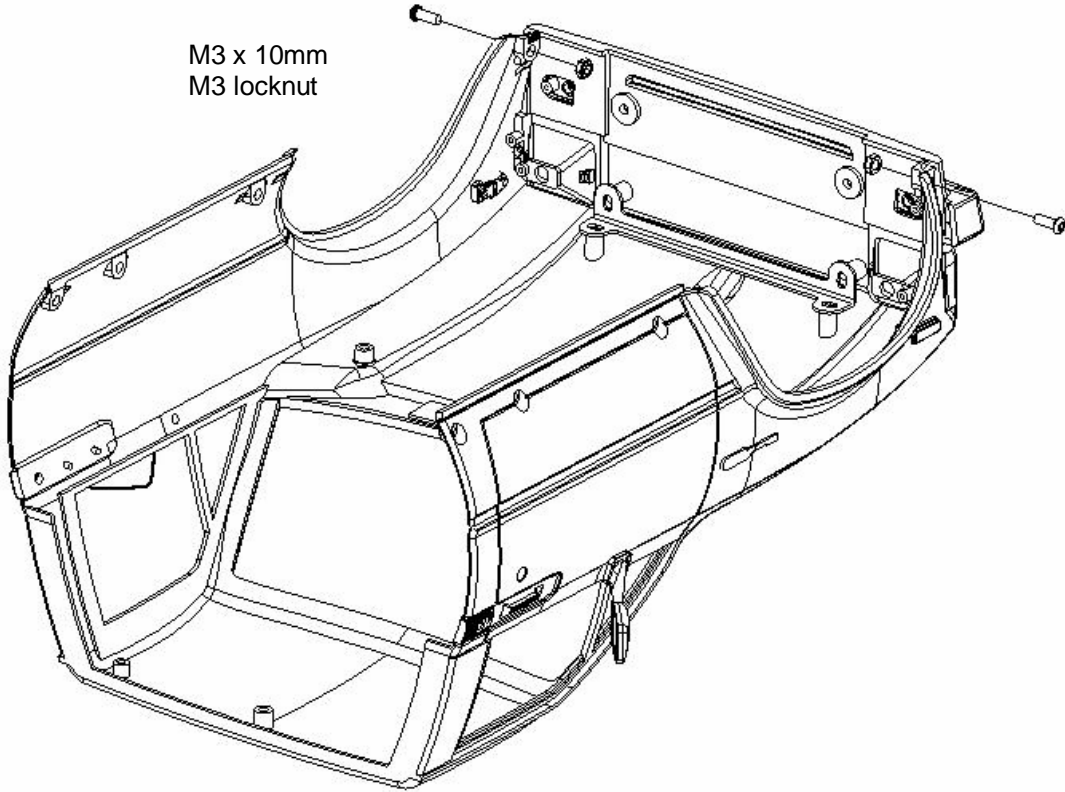




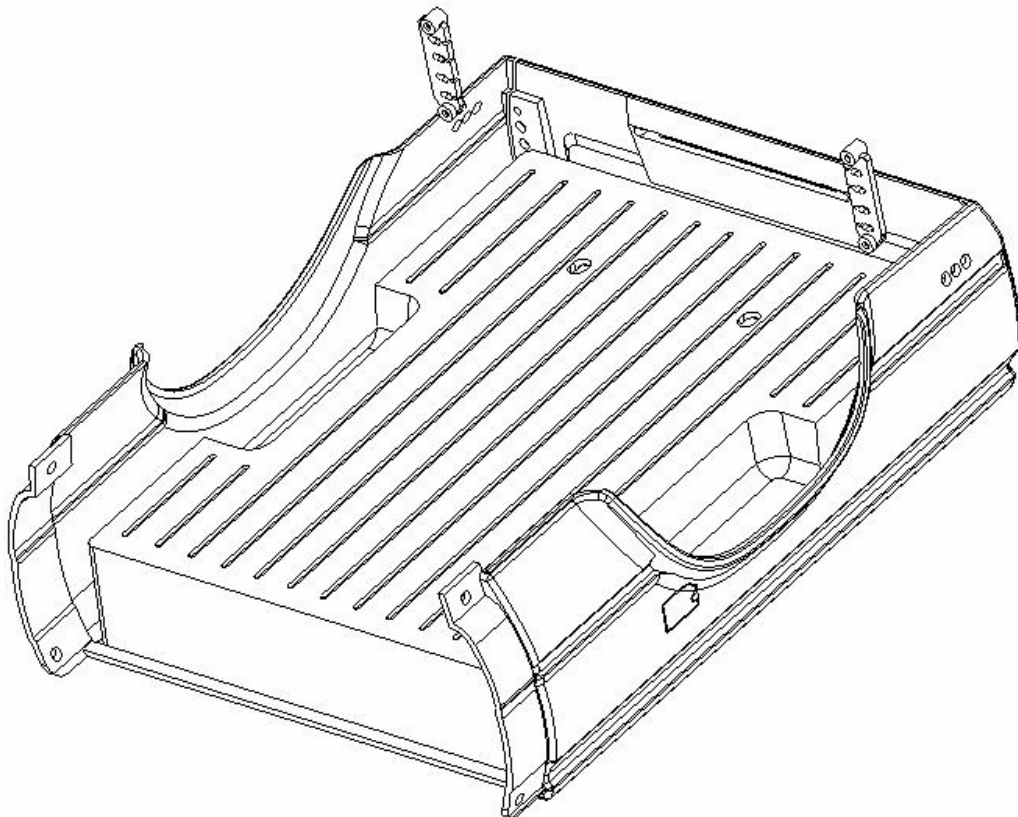
M3 x 6mm

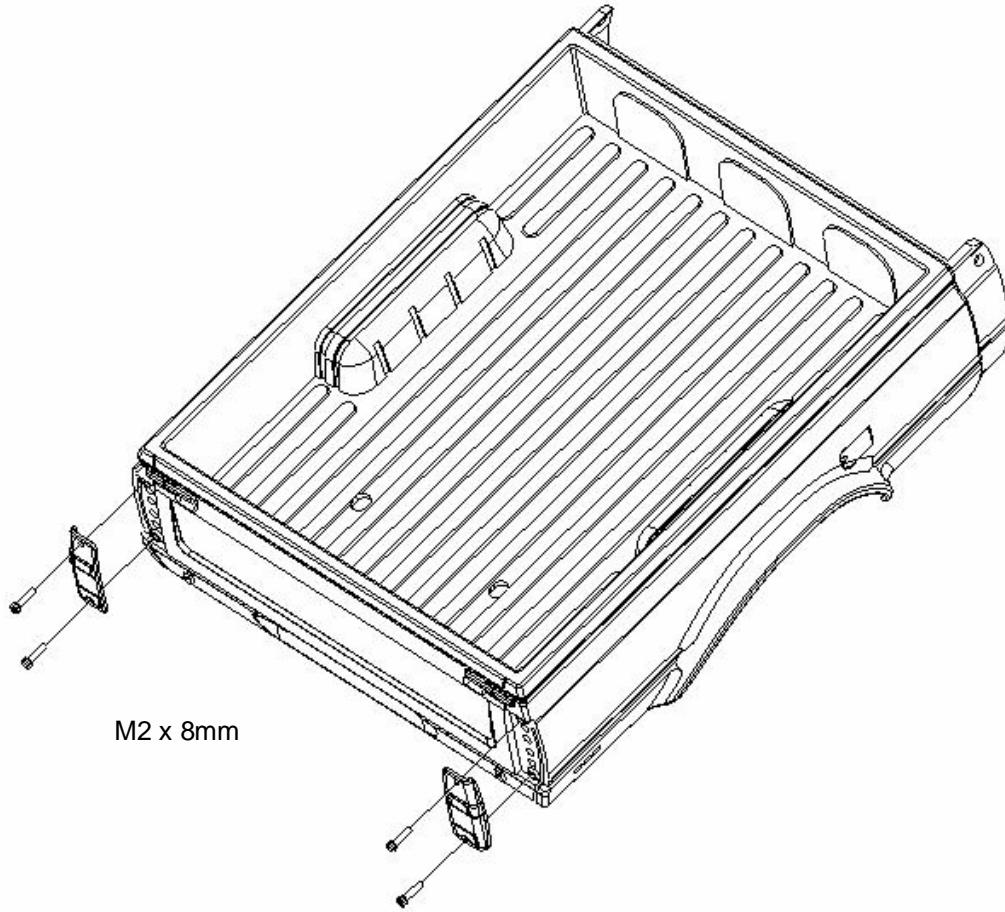


M3 x 10mm
M3 locknut



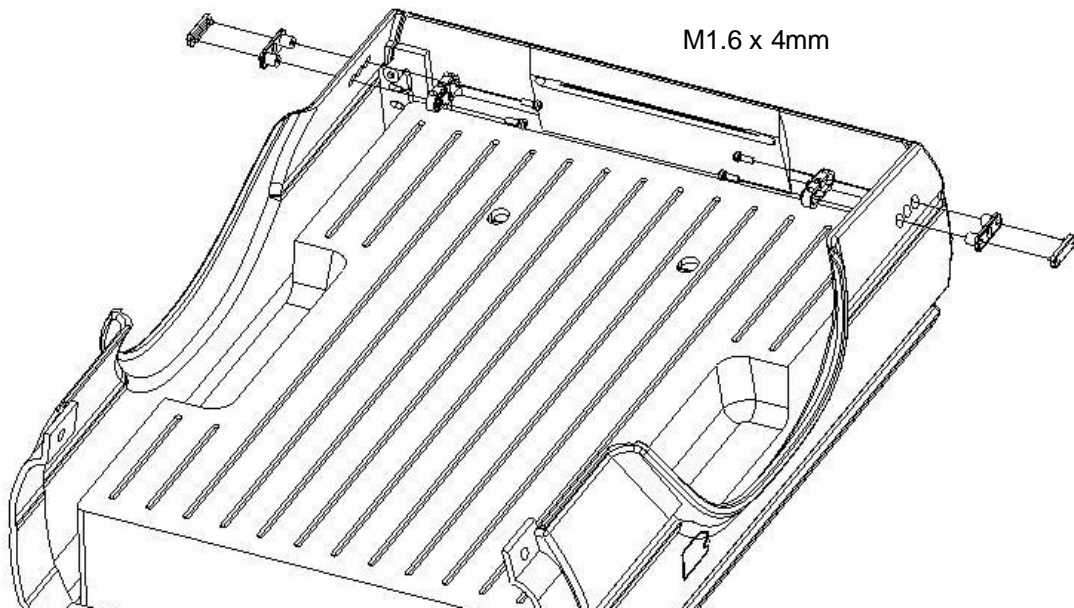
11





M2 x 8mm

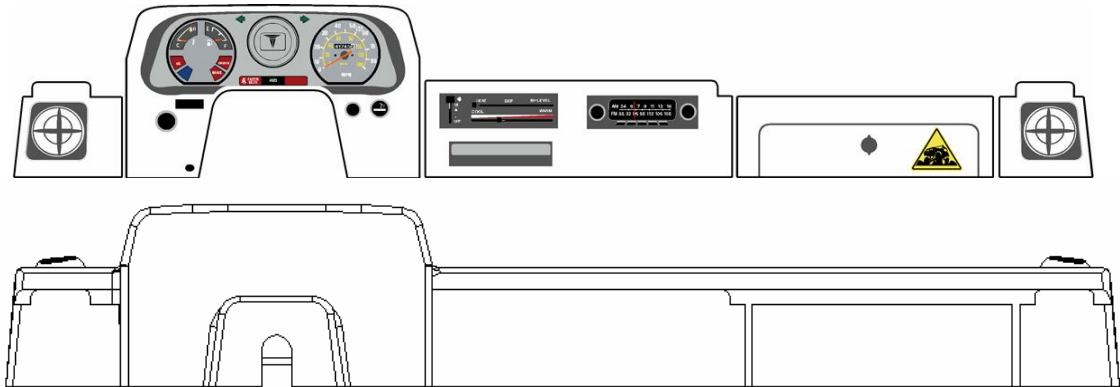
12 *



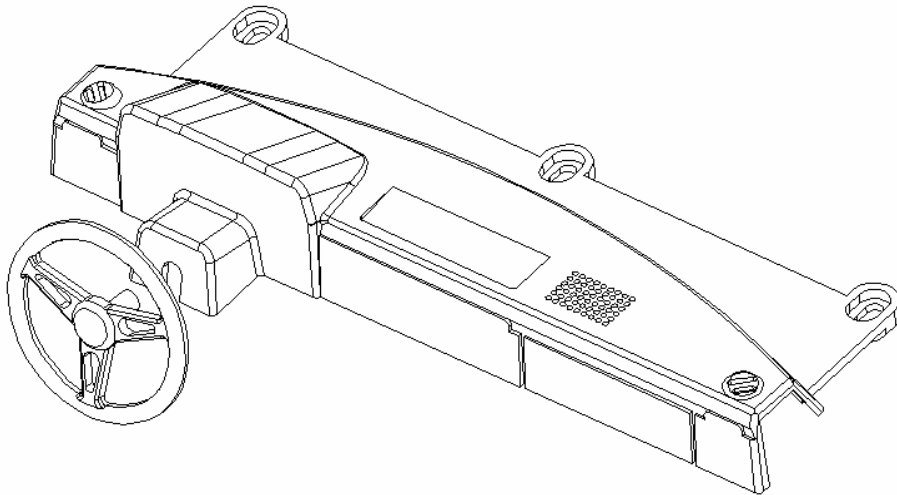
M1.6 x 4mm



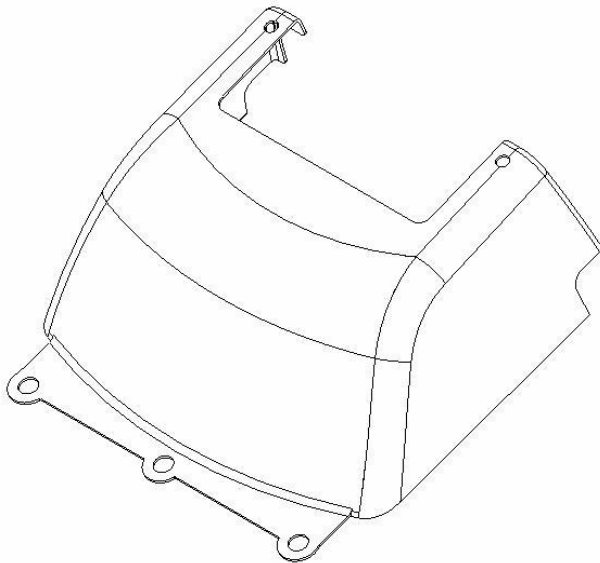
13 Apply decals to the interior dashboard part

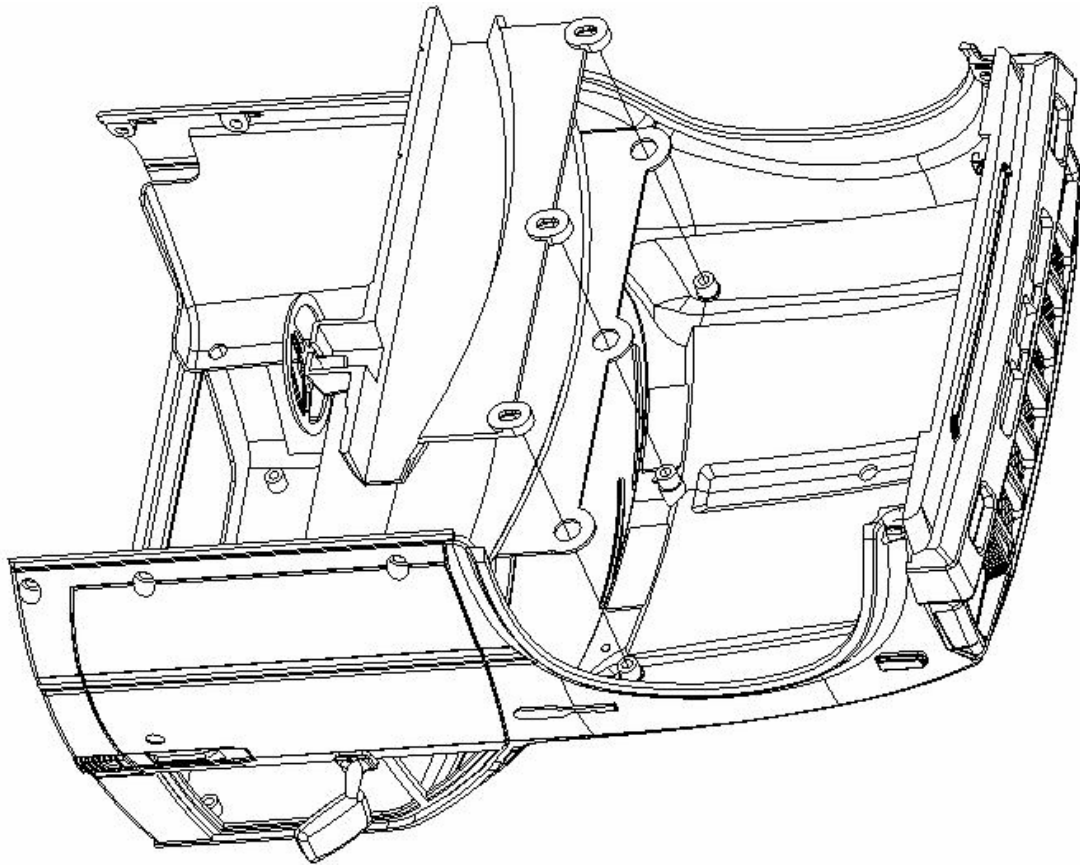


14 *

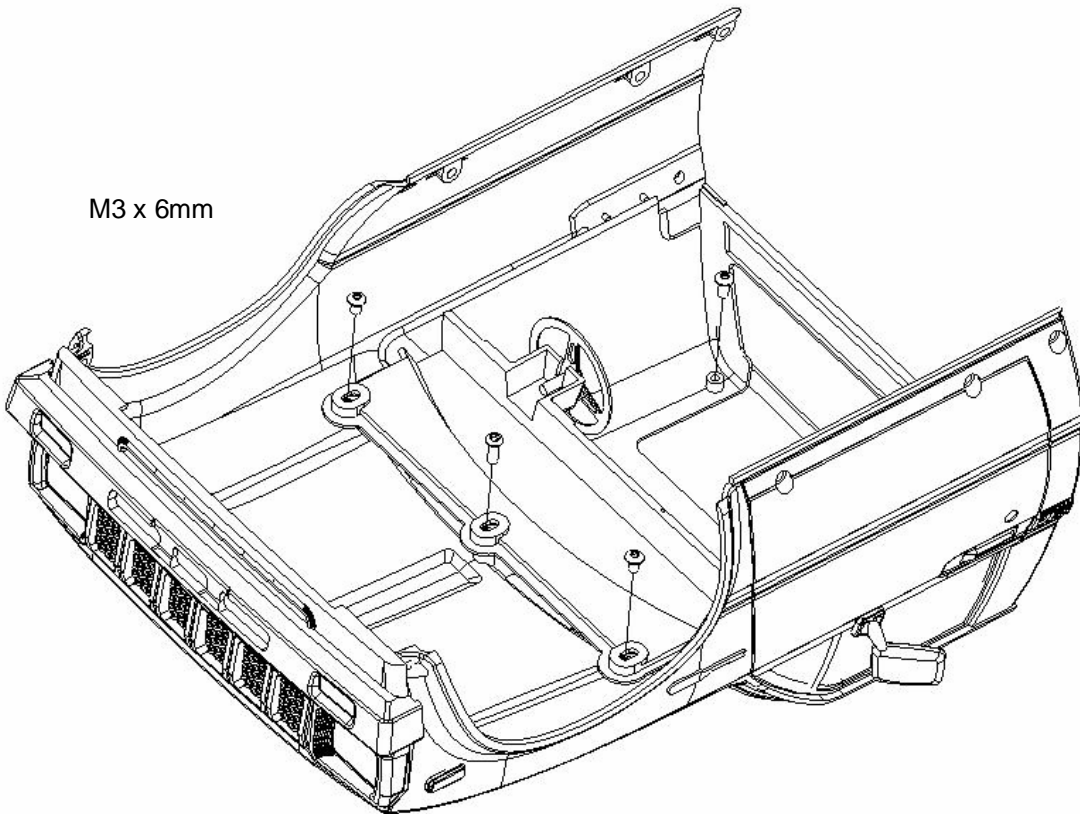


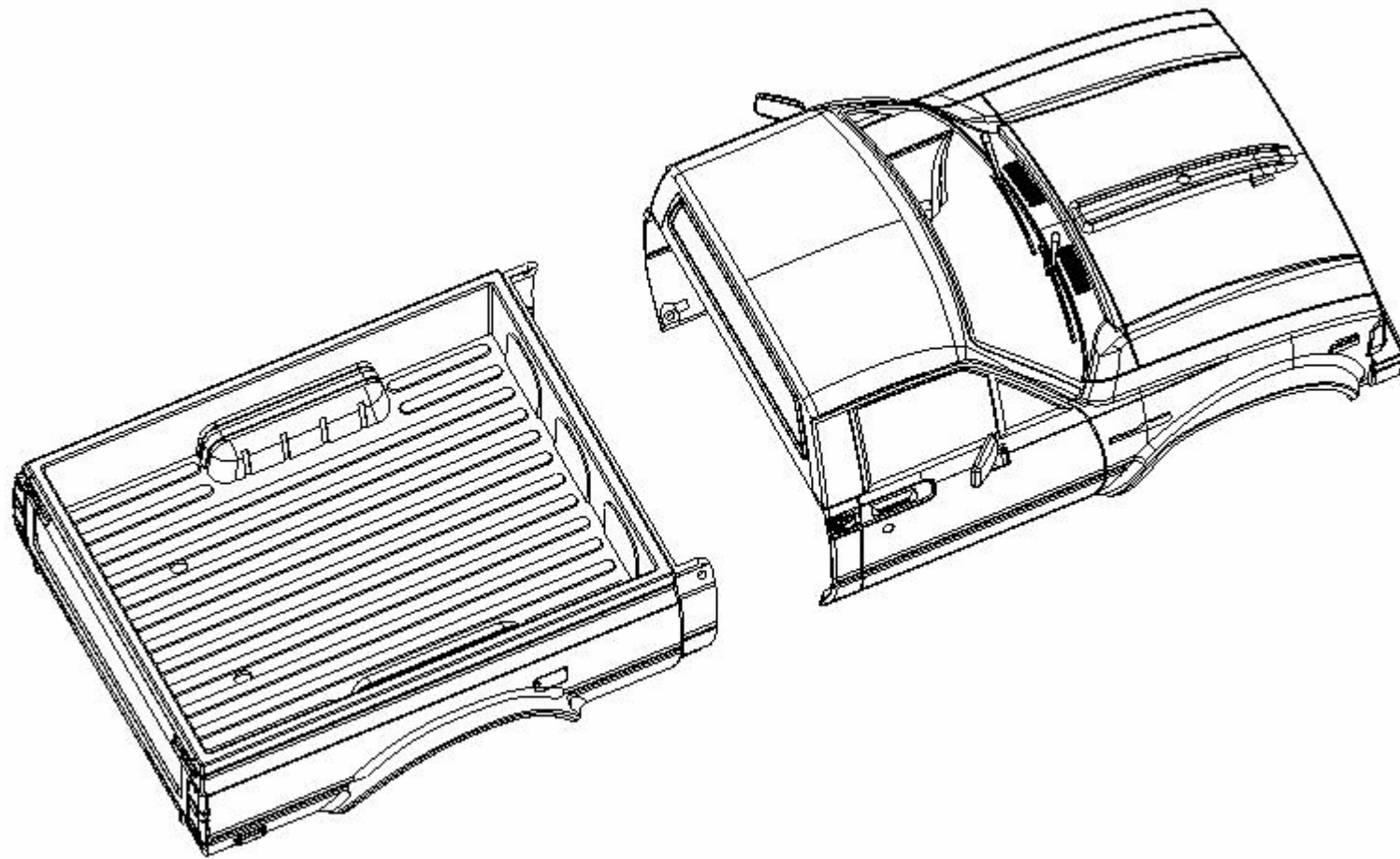
15 The windshield needs trimming before installation

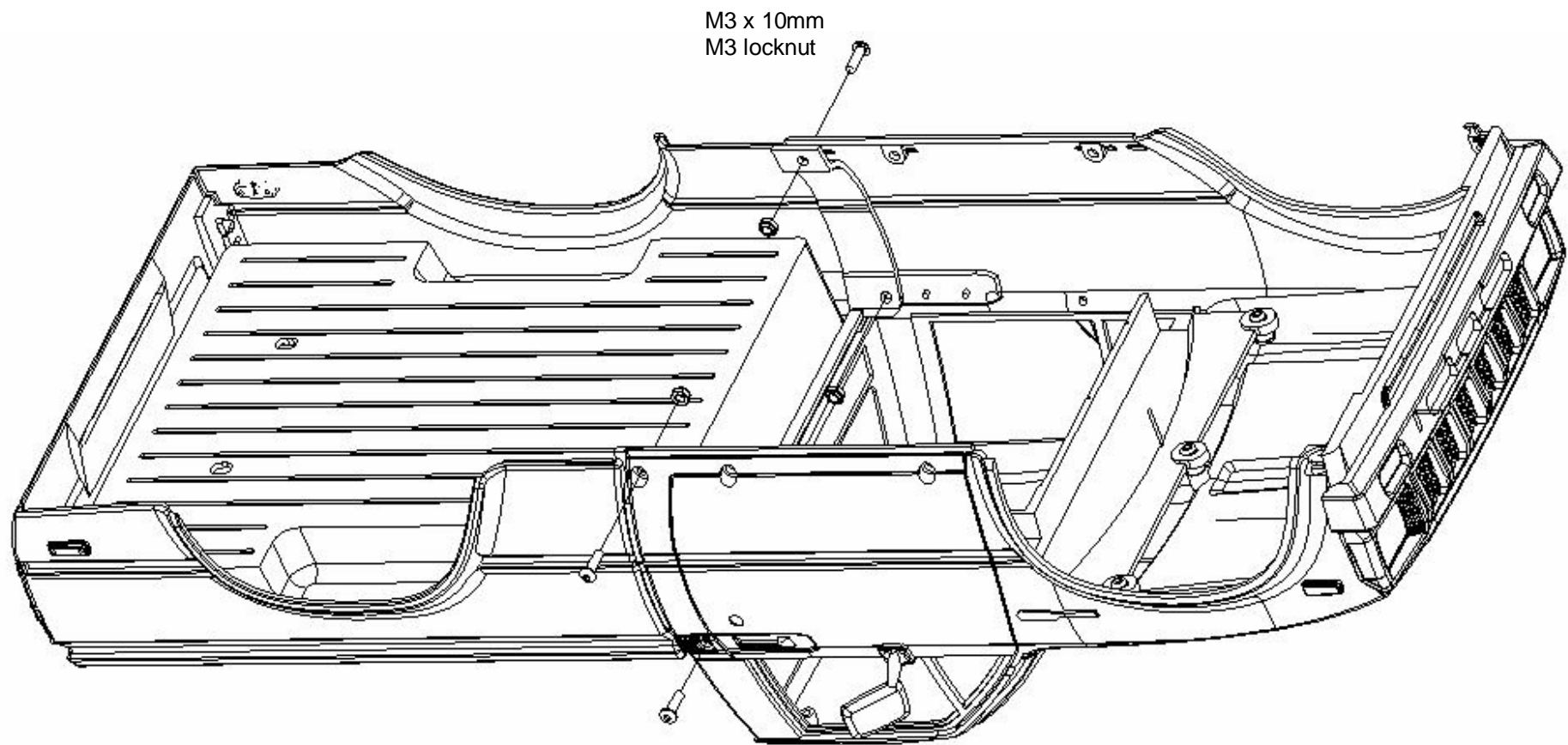


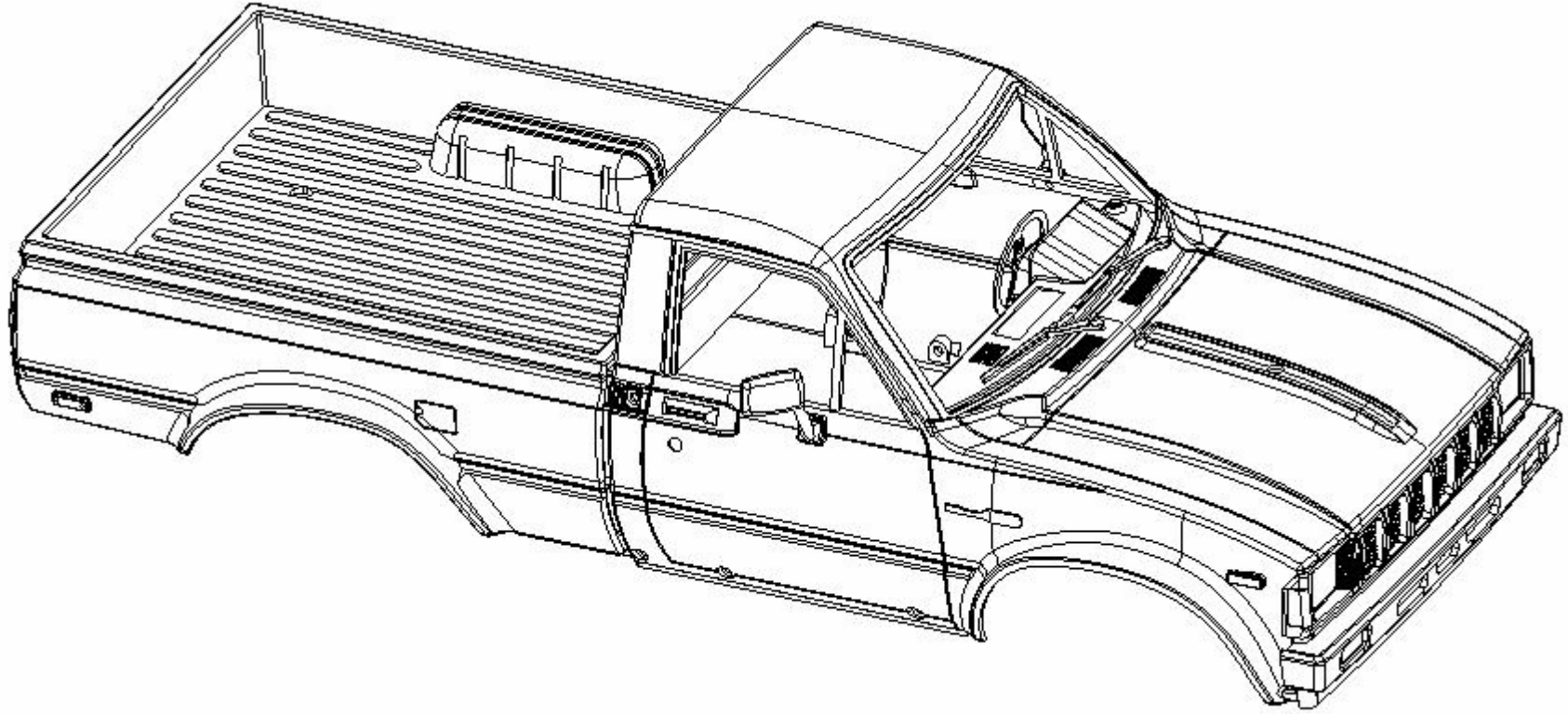


M3 x 6mm









Spare Parts

- Z-S0589 Mojave Hardware bag B
- Z-B0021 Mojave Front Cab
- Z-B0022 Mojave Rear Bed
- Z-B0023 Mojave Cab Back Panels
- Z-B0024 Mojave Grill / Dash parts tree
- Z-B0025 Mojave Mirror / Wiper parts tree
- Z-B0026 Mojave Clear parts tree
- Z-B0027 Mojave Chrome parts
- Z-B0028 Mojave Decal sheet
- Z-B0029 Mojave Lexan Windshield

